

STRAIGHTENING BENCHES



 **SPANESI**®

INDEX

100TB	04
100TS	05
102	06
106	07
106 Plus	08
106 Ext	09
Universal jig system	10
Bench Components	16

Performance and Design



100 TB

Contains:

- Bench with rack gears
- Pulling Column
- 2 Crossbars
- 4 Universal Clamps

LOAD CAPACITY	-
LENGTH	4-5 meters
WIDTH	1,8 meters
LIFTING HEIGHT	-
PULLING FORCE	10 Ton



100 TS

Contains:

- Bench with rack gears
- Lift with control box
- Pulling Column
- 5 Crossbars
- 4 Universal Clamps
- Loading trolley
- Positioning and ascending ramps

LOAD CAPACITY	5000 Kg
LENGTH	4-5 meters
WIDTH	1,8 meters
LIFTING HEIGHT	1,6 meters
PULLING FORCE	10 Ton

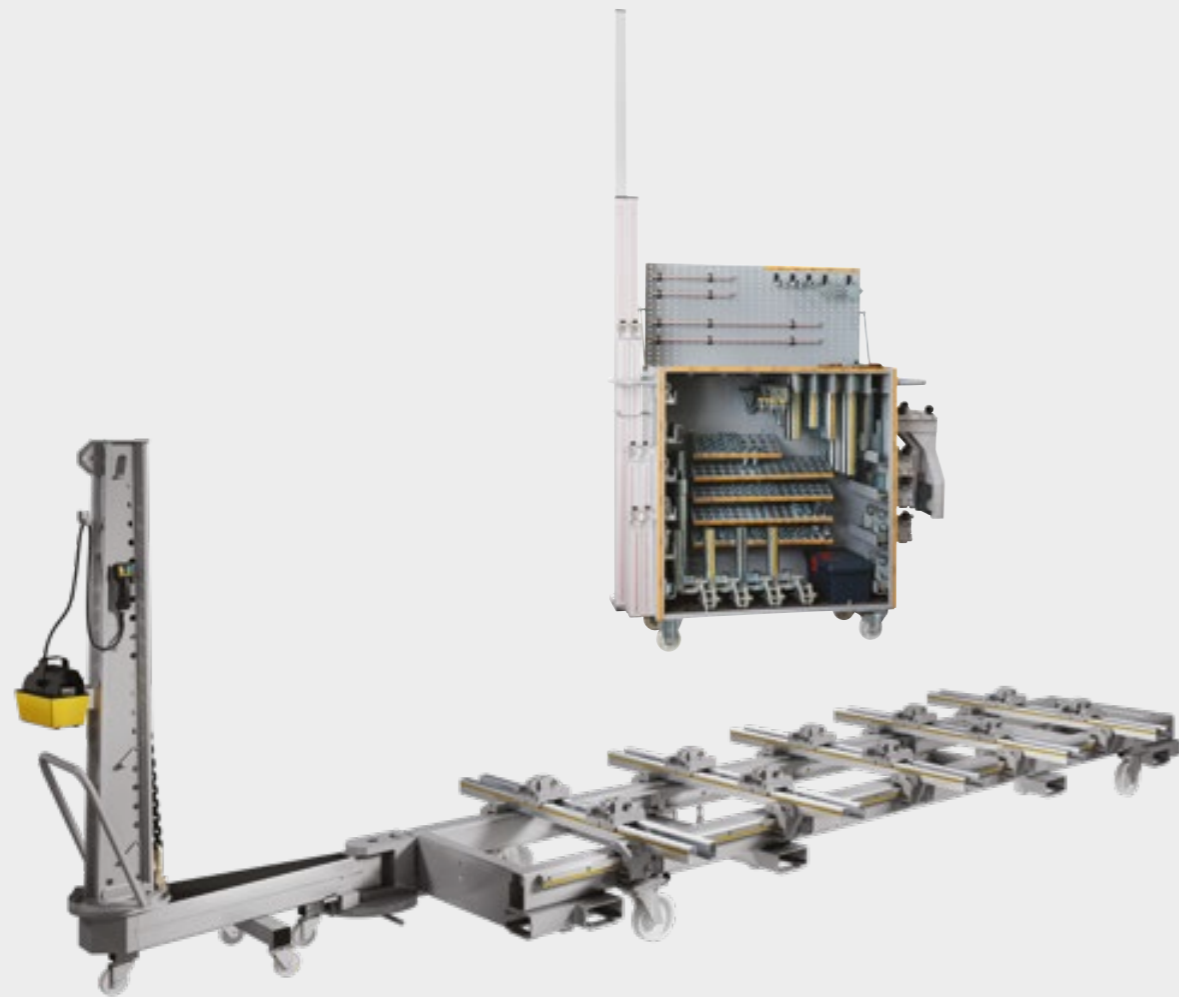


102

Contains:

- Bench with rack gears
- Pulling Column
- Universal Jig System
- 5 Crossbars

LOAD CAPACITY	-
LENGTH	4-5 meters
WIDTH	1,8 meters
LIFTING HEIGHT	-
PULLING FORCE	10 Ton



106

Contains:

- Bench with rack gears
- Lift with control box
- Pulling Column
- Universal Jig System
- 5 Crossbars
- Loading trolley
- Positioning and ascending ramps

LOAD CAPACITY	5000 Kg
LENGTH	4-5 meters
WIDTH	1,8 meters
LIFTING HEIGHT	1,6 meters
PULLING FORCE	10 Ton



106 PLUS

In-floor installation

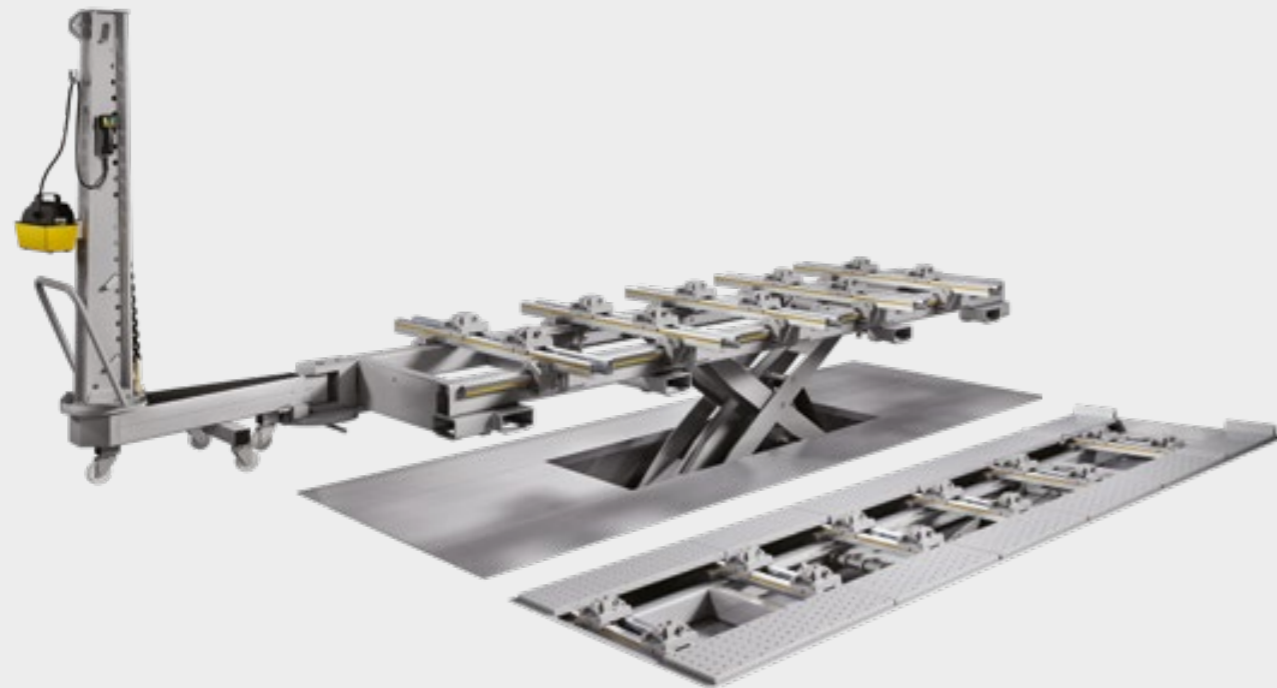
The 106 PLUS is designed to be installed below the floor surface to enable maximum floor space within the collision repair facility.

Loading and unloading vehicles is fast and efficient without the need for vehicle ramps.

Contains:

- In-floor bench with rack gears
- Lift with control box
- Pulling Column
- Universal Jig System
- 5 Crossbars
- Loading trolley
- Positioning ramps

LOAD CAPACITY	5000 kg
LENGTH	4-5 meters
WIDTH	1,8 meters
LIFTING HEIGHT	1 meter
PULLING FORCE	10 Ton



106 EXT

For large and commercial vehicles

The 106 EXT is designed for longer vehicles. With length of 6 metre, it is suitable for work on vans, light and medium duty trucks, SUVs and minivans.

The pulling column can be mounted in 12 locations surrounding the bench and delivers 360° pulling capabilities around the vehicle.

Contains:

- Bench with rack gears
- Lift with control box
- Pulling Column
- Universal Jig System
- 6 Crossbars
- Loading trolley
- Positioning and ascending ramps

LOAD CAPACITY	5000 kg
LENGTH	6 meters
WIDTH	1,8 meters
LIFTING HEIGHT	1 meter
PULLING FORCE	10 Ton



UNIVERSAL JIG SYSTEM

3D Repair

The Spanesi Universal Jig system is a sophisticated 3 dimensional repair platform that allows restoration of any vehicle back to OEM standards.

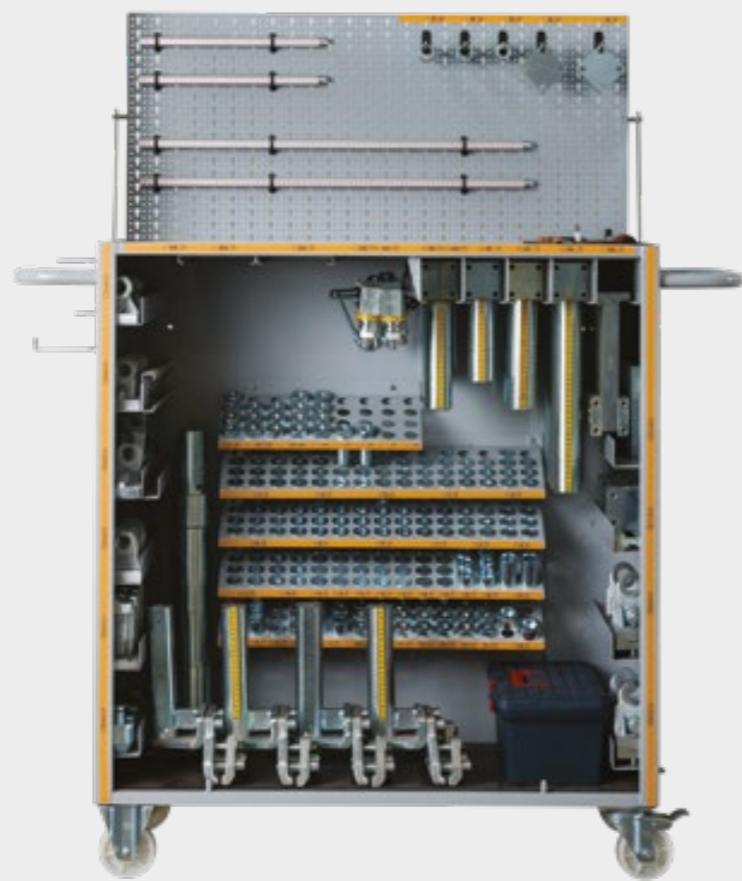
Throughout the entire process, repairs are precise, accurate and efficient.

Length, width and height values are all returned to original specifications. Downward and upward thrusting ensure a complete and efficient repair.

Contains:

- Universal Jig trolley
- 5 Crossbars
- Rack gears
- Positioning and ascending ramps
- Set of special hardened bolts
- Winstar software
- McPherson measuring system

Universal Jig trolley



No optional equipment necessary. The movable universal jig trolley contains all of the items needed to repair past, current and future vehicles.

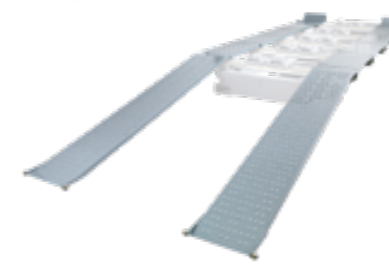
5 crossbars



Rack gears



Positioning and ascending ramps



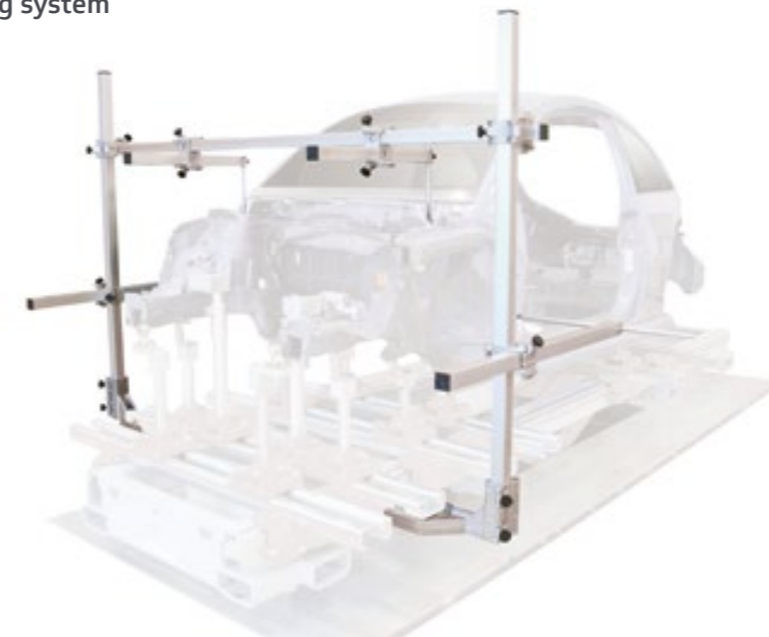
Set of special hardened bolts



Winstar software



McPherson measuring system



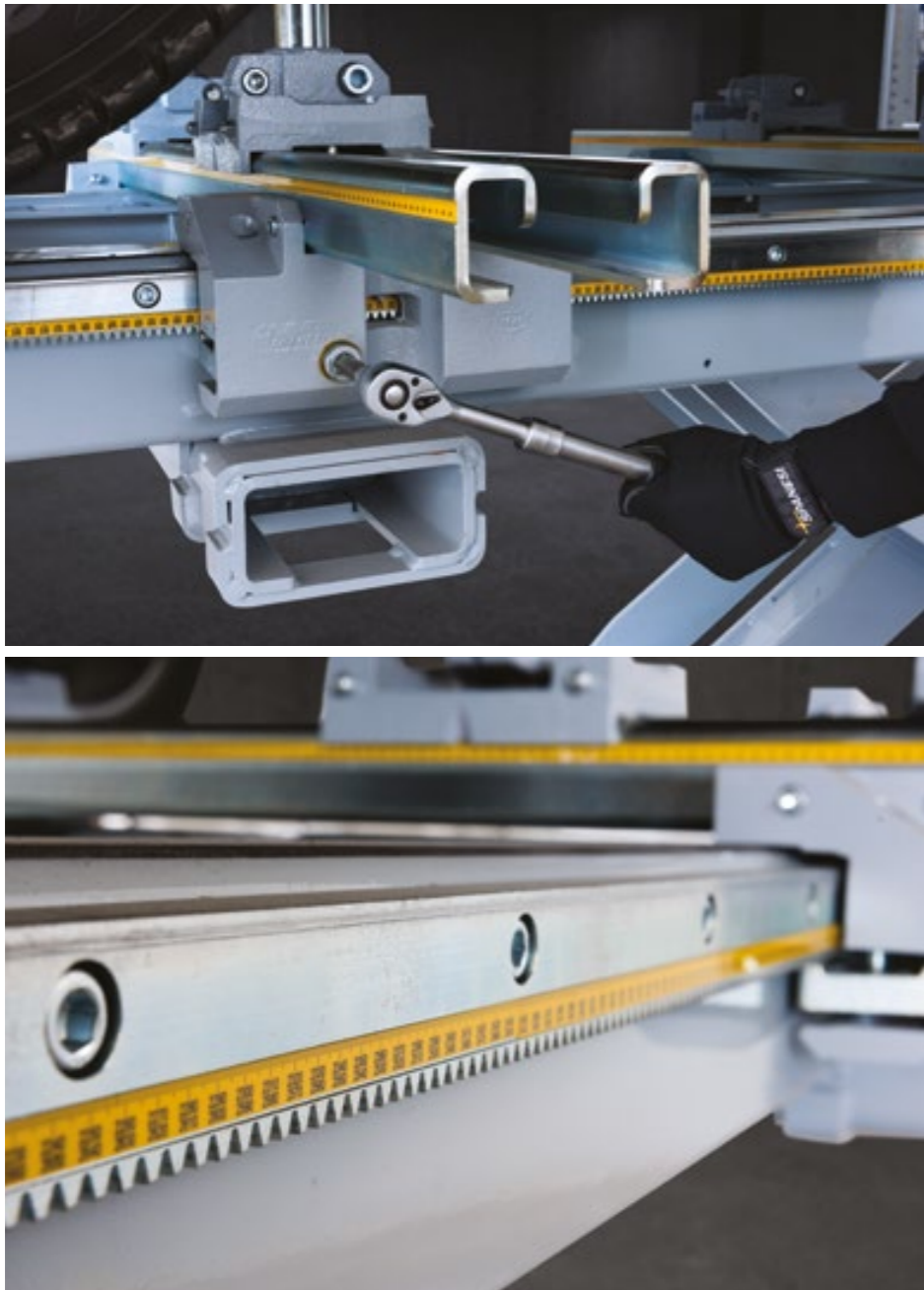


FOCUS POINTS

01 ———
REPAIR BACK TO OEM STANDARDS
 All types of vehicle: Past, present, future

02 ———
REPAIR BACK TO OEM STANDARDS
 All types of damage: Small, medium, large

03 ———
3D REPAIR CONCEPT
 Restore height, length and width values



FOCUS POINTS

04 —
GEAR DRIVEN RACKS
 Easy vehicle movement on the bench

05 —
GEAR DRIVEN FIXTURES
 Move the vehicle structure up or down at every jig mounting point

06 —
FAST, ACCURATE AND EFFICIENT
 At the same time:
 Mounting
 Pulling
 Measuring

07 —
COMPLETE FIXTURING SYSTEM
 Repair current and future vehicles Utilizing the provided universal jig system

BENCH COMPONENTS

Bench with rack gears

Spanesi's straightening benches have been designed to stand up to the most intense pulling stresses; this is accomplished through the utilization of the most durable materials available, in order to maintain their performance throughout the years.



Crossbars

Spanesi's crossbars are designed to always stay on the bench.



Lift with control box

Dual-action scissor lift with control box placed outside of the bench.



Universal clamps



BENCH COMPONENTS

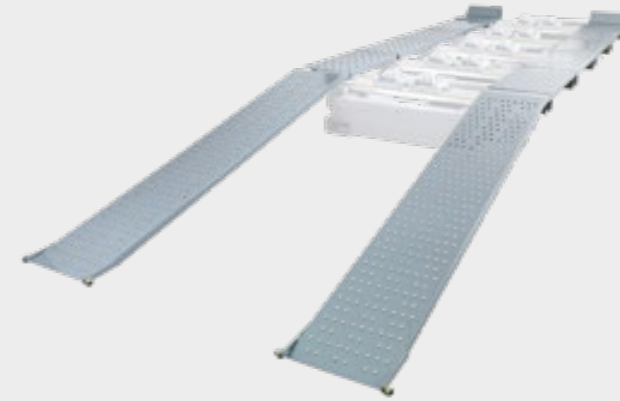
Pulling column

Quickly and automatically locks into the bench without the aid of hammers or spanners.
The Pulling Column has a 10 ton direct pulling capacity.



Positioning and ascending ramps

Heavy-duty, removable ramps allowing for easy loading and unloading of the vehicle.



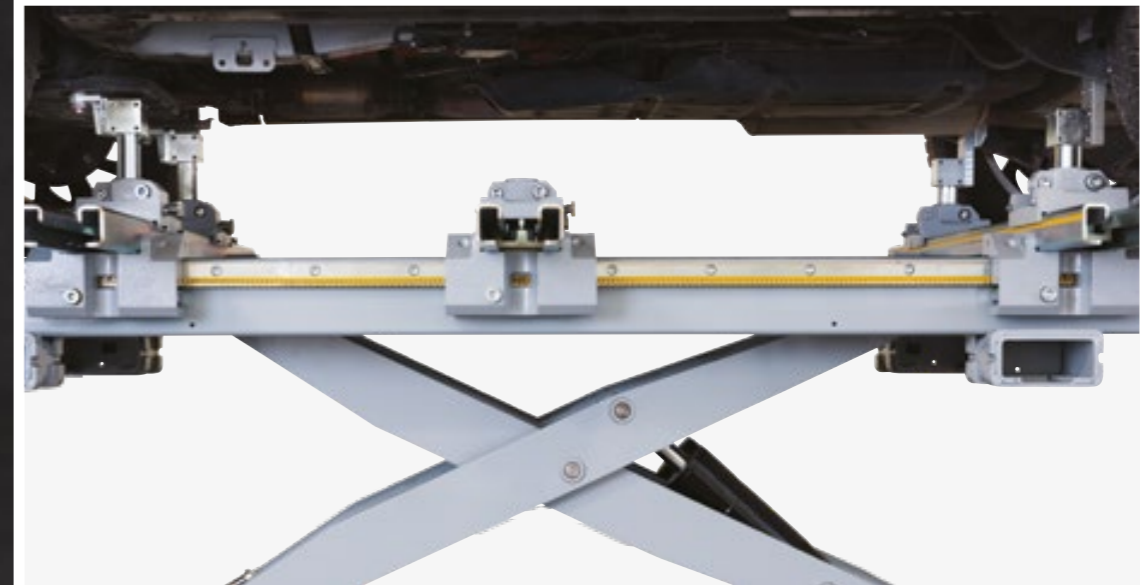
Loading trolley

Allows the vehicle to be perfectly centered on the bench.





Easily mount and hold with universal clamps



Precision mounting and holding with universal jig

FOCUS POINTS

08 — CUSTOM

3 different lengths
4-5-6 meters

09 — EFFORTLESS

Crossbars designed to always stay
on the bench

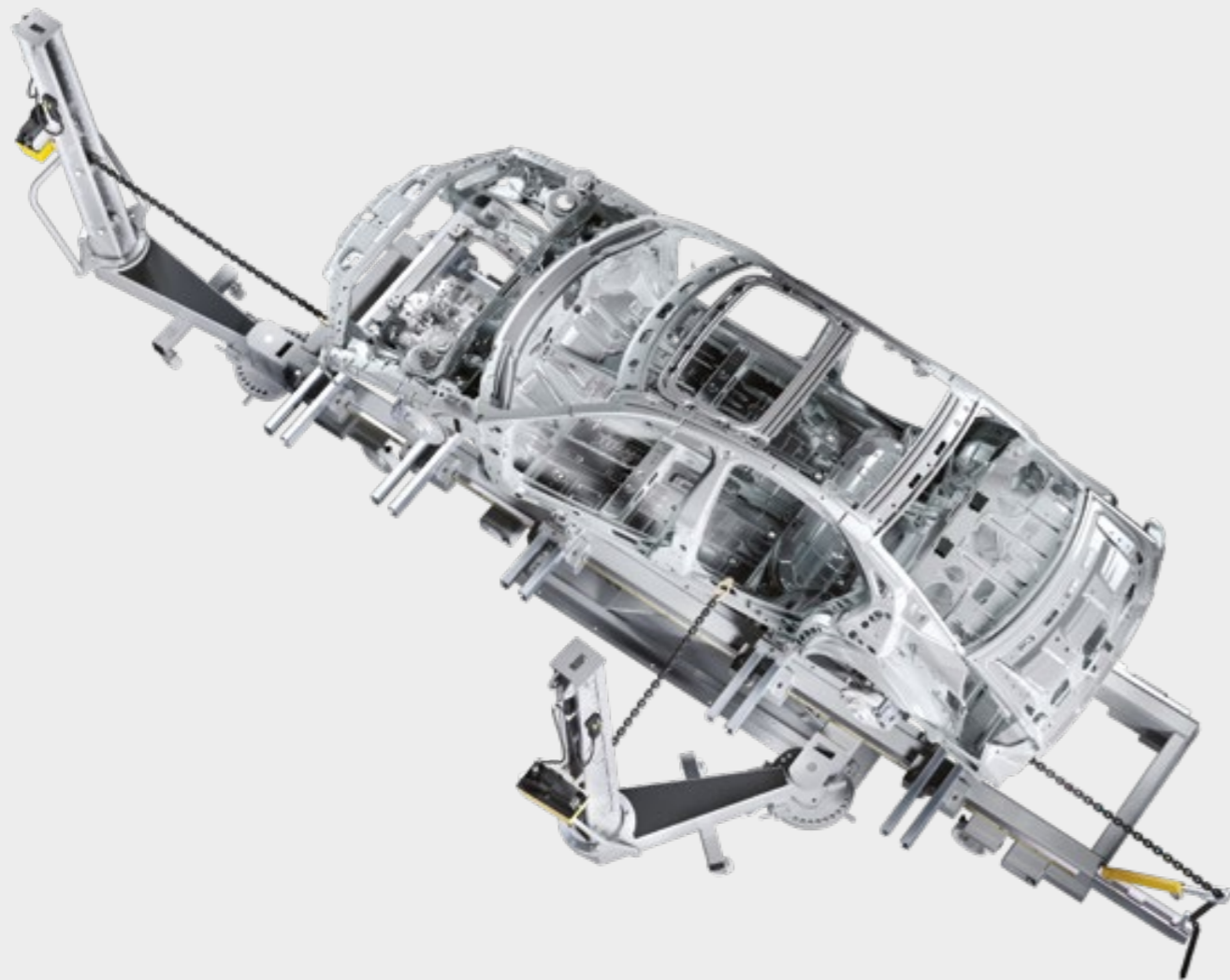
10 — PULLING COLUMN

10Tons of pulling force
12 bench mounting locations
360° Pulling

11 — POWERFUL

Vertical pulling column
Capable of multiple pulling directions
Without the loss of pulling power

MULTIPLE PULLS



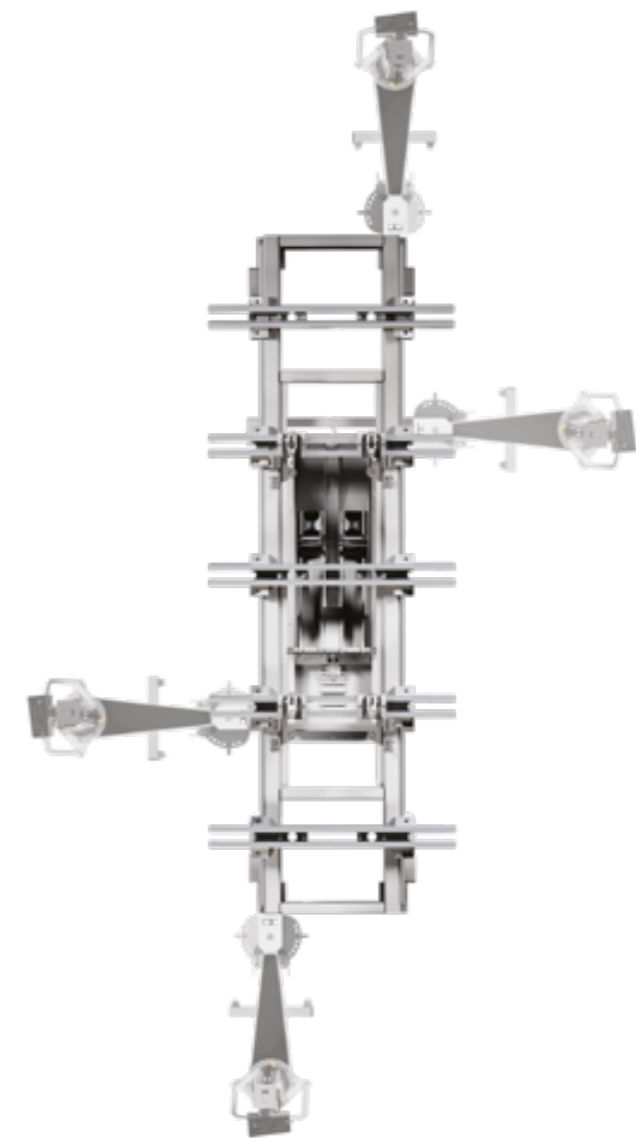
TELESCOPIC PULLING (OPTION)



DOWNWARD PULLING (OPTION)



PULLING COLUMN FOOTPRINT

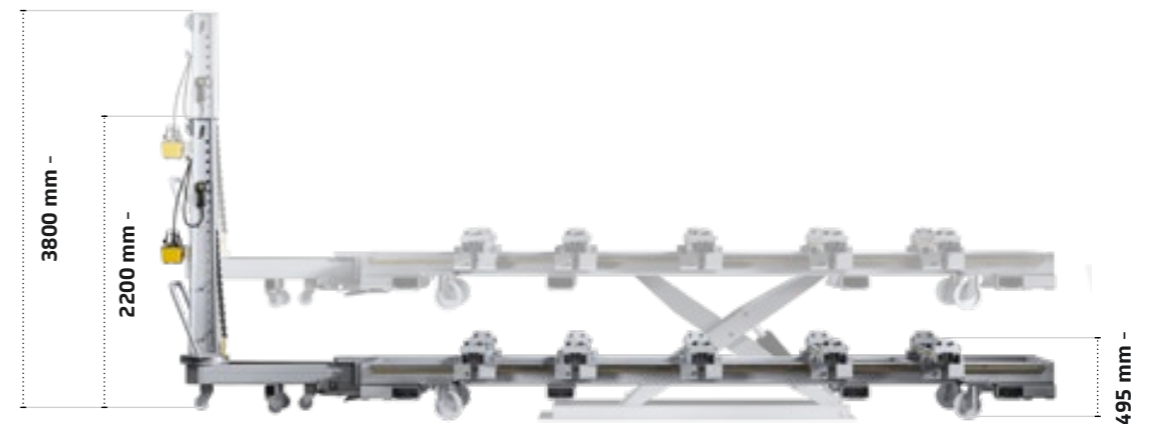


TOTAL LENGTH

6900 mm -	
100TB	4 m
100TS	4 m
102	4 m
106	4 m
7900 mm -	
100TB	5 m
100TS	5 m
102	5 m
106	5 m
8900 mm -	
106EXT	6 m

TOTAL WIDTH

4120 mm -





Spanesi S.p.A.

Via Praarie 56/II - 35010

Cavino di San Giorgio
delle Pertiche (PD)

Tel. +39 049 933 32 11

e-mail: info@spanesi.it